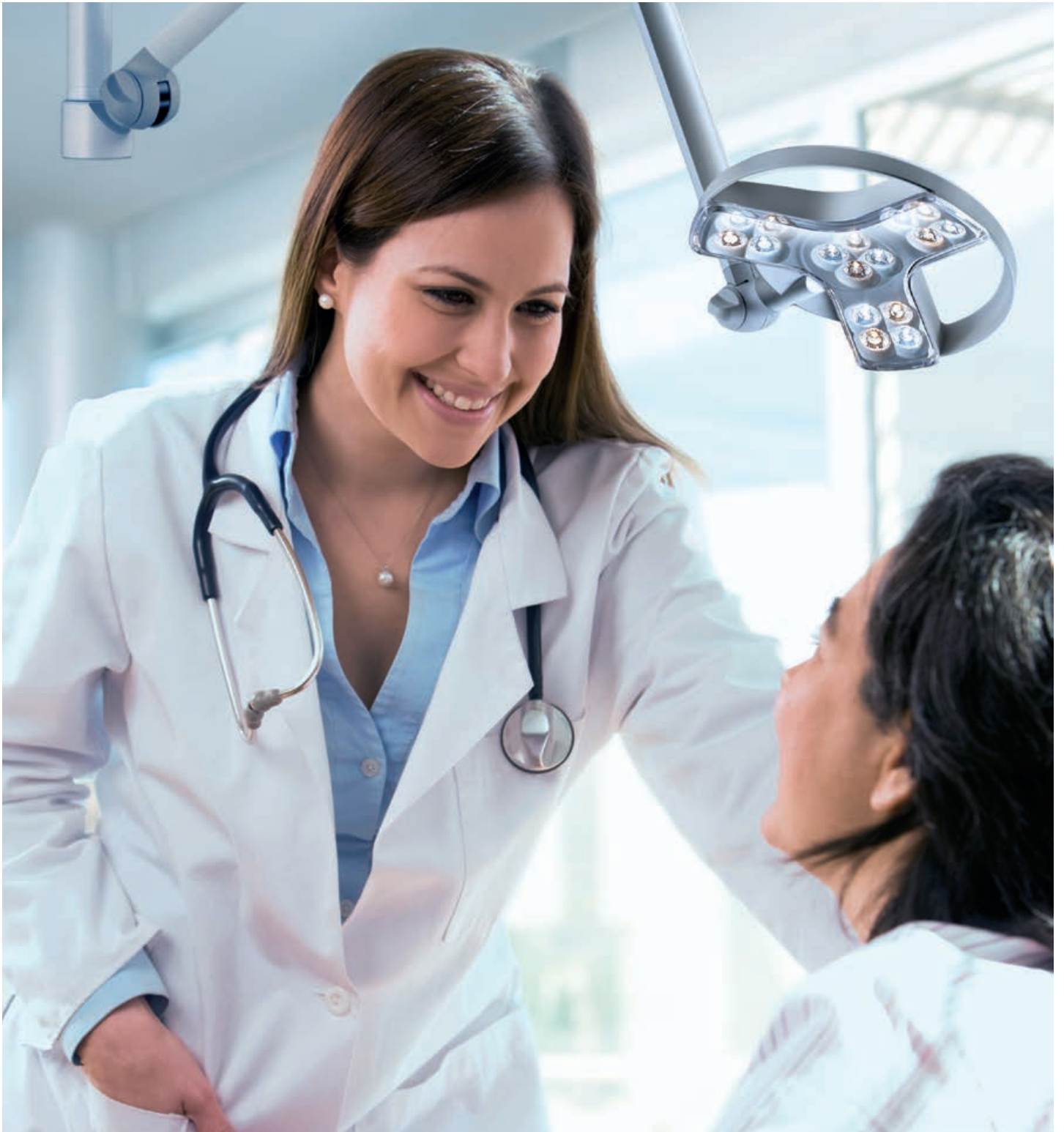


**VISIANO**  
LED EXAMINATION LIGHTS



reddot award 2014  
winner



UNIQUE DIAMOND  
OPTICS:  
PREMIUM-LED

## VISIANO OUR MASTERPIECE

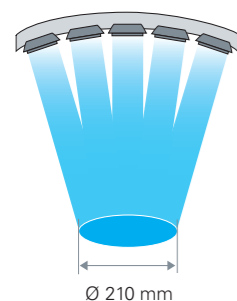
Wherever it is necessary to have the highest standards of vision, uncompromising lighting is essential. Whether in a GP practice or at the dermatologist's office, in ENT or gynecology and particularly in sensitive wards such as neonatology and intensive care: The VISIANO is versatile and dependable. Thanks to its unique design, modern lighting technology and highest quality of light, it ensures optimal examination conditions.

••••  
LED

- Highest lighting quality  
Thanks to a concave lighting head design, diamond optics and premium LEDs, homogeneous light field and high illuminance, low shadowing, excellent color rendering (Ra > 95, R13 > 90)
- Long service life, safe and economical  
low power consumption, built-in converter, maintenance-free housing, high-quality aluminium arm system and durable friction joints
- Maximum reach and ergonomics  
360° rotation of the luminaire head, long arm reach
- Four dimming levels:  
Repeatable luminous intensities, also as ambient indirect lighting in sensitive areas
- Approved safety  
Medical device according to IEC 60601, unique in this class

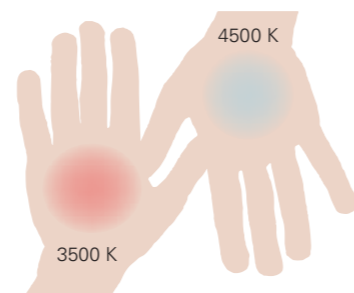


reddot award 2014  
winner



Illumination field  
0.5 m, Ø 21 cm

efficient *light*



Color change  
for optimal contrast sensitivity



unique diamond optics  
for best color uniformity of the light



360° turnover-axis  
for maximum light



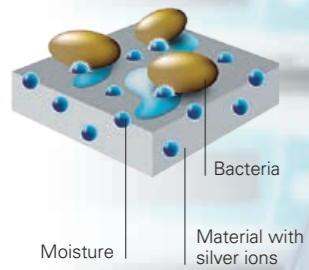
spring balanced friction joint  
effortless positioning and locking



### Protection against the spread of bacteria

In untreated materials, harmful bacteria and germs multiply within 20 minutes. The integrated antimicrobial Sanitized® hygiene function in the upper luminaire housing, the control panel and the hand wheels on the joints help to keep critical areas hygienic. Tests have shown that 99% of the bacteria and microbes could be destroyed. The biocide is permanently resistant, but is not a substitute for regular cleaning.

BACTERIA  
REDUCTION  
WITH SILVER IONS



[www.sanitized.com](http://www.sanitized.com)

Silver ions destabilize the cell membrane of microbes and bacteria

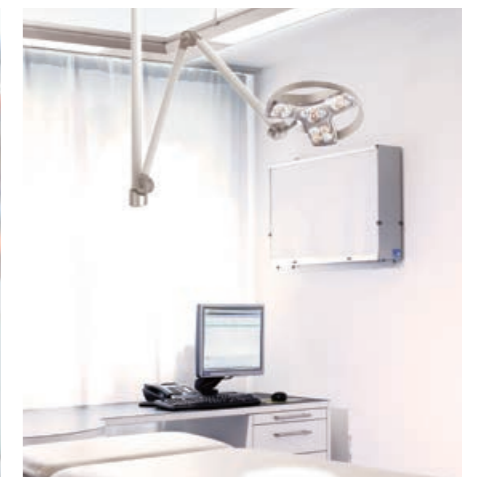
## WANTED – FOUND THE PERFECT EXAMINATION LIGHT



The range of uses of the new VISIANO is as versatile as the selection of mounting options. Whether mounted on the ceiling, wall or floor. While you enjoy its superb ergonomic, the antimicrobial Sanitized® hygiene feature reliably inhibits the growth of microorganisms on the surface. In addition, the fully enclosed housing prevents penetration and the formation of dirt.

#### VISIANO compact

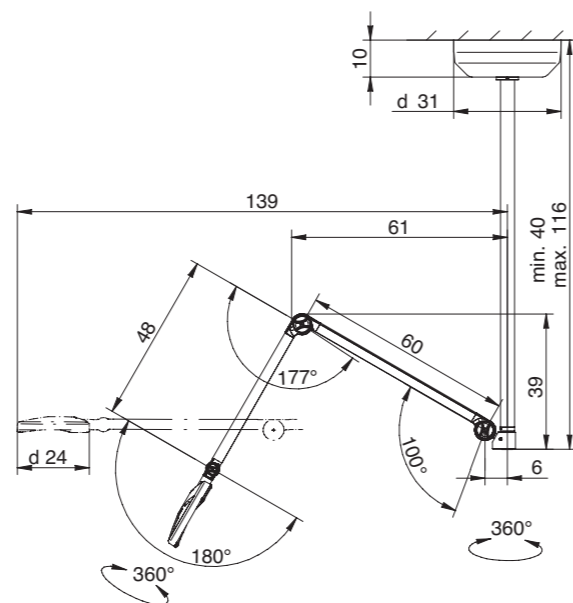
- intuitive and ergonomic
- high-quality components
- homogeneous light field (Ø 21 cm, 60,000 000 Lux/ 0.5 m)
- built-in antimicrobial hygiene feature
- various fixation options
- color changing
- 4 dimming levels



# VISIANO



Ceiling tube  
max. 116 mm long  
(can be cut to length)

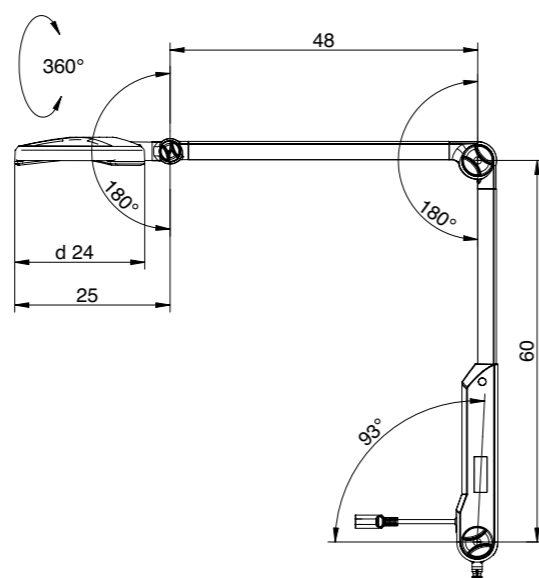


Ceiling version

VISIANO – CEILING VERSION			ORDER NO.
VISIANO 20-2 CT1	pure white / gray	Fixed connection	D15.450.000



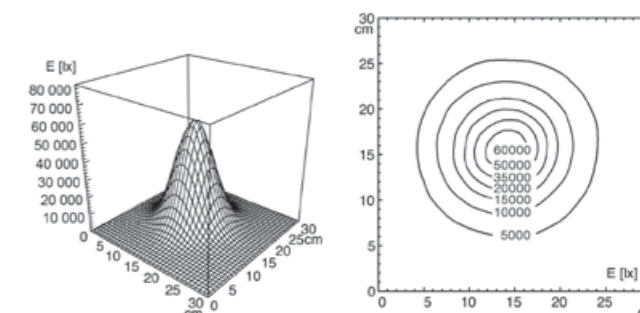
Pin version



VISIANO – PINVERSION			ORDER NO.
VISIANO 20-2 PTX	pure white / gray	Euro	D15.451.000
VISIANO 20-2 PTX	pure white / gray	UK	D15.456.000

## VISIANO technology

Light output	60,000 Lux / 0.5 m *
Color temperature	3500 K & 4500 K *
Illumination field 1.0 m	Ø 21 cm *
Color rendering	Ra > 95
Operation	Control panel at light head
Accessories	Suspended Ceiling Adapter
Protection class	II
Standards	EN 60601-1, EN 60601-2-41
Protection class	IP 20
Features	2 color temperatures, 4 dimming levels, antimicrobial, 360° Turn-over Axis

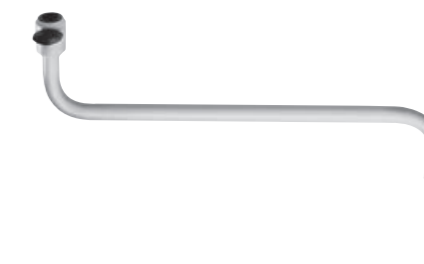


\* -10% / +20% tolerance

## ACCESSORIES



ROLLER STAND RL	
Material	Stainless steel
Dimensions	0.8 m
Weight (net)	6.6 kg
for stud Ø	16 mm with removal protection
<b>Order number</b>	<b>D14.022.000</b>



EXTENSION ARM	
Material	Powder-coated steel / steel pipe
Dimensions	400 m, Ø 16 mm
Weight (net)	approx. 0.65 kg
for stud Ø	16 mm with removal protection
Capacity	2.5 kg
<b>Order number</b>	<b>D13.363.000</b> - pure white



RAIL MOUNTING	
Material	Aluminum
Wall Rail system	25-35 x 8-10 mm
<b>Order number</b>	<b>D13.269.000</b>



TABLE CLAMP	
Material	Polyamide steel
<b>Order number</b>	<b>D14.228.000</b> - black



WALL BRACKET	
Material	Polyamide GF
<b>Order number</b>	<b>D13.231.000</b> - pure white

## OWN SALES BRANCHES

### GERMANY

Herbert Waldmann GmbH & Co. KG  
PO Box 5062  
78057 Villingen-Schwenningen  
Germany  
Phone +49 7720 601 100  
Fax +49 7720 601 290  
www.waldmann.com  
sales.germany@waldmann.com

### SWEDEN

Waldmann Ljusteknik AB  
Skebokvarnsvägen 370  
124 50 Bandhagen  
SWEDEN  
Phone +46 8 990 350  
Fax +46 8 991 609  
www.waldmann.com  
info-se@waldmann.com

### SWITZERLAND

Waldmann Lichttechnik GmbH  
Benkenstrasse 57  
5024 Küttigen  
Switzerland  
Phone +41 62 839 12 12  
Fax +41 62 839 12 99  
www.waldmann.com  
info-ch@waldmann.com

### USA

Waldmann Lighting Company  
9, W. Century Drive  
Wheeling, Illinois 60090  
USA  
Phone +1 847 520 1060  
Fax +1 847 520 1730  
www.waldmannlighting.com  
waldmann@waldmannlighting.com

### AUSTRIA

Waldmann Lichttechnik Ges.m.b.H  
Gewerbepark Wagram 7  
4061 Pasching/Linz  
Austria  
Phone +43 7229 67 400  
Fax +43 7229 67 444  
www.waldmann.com  
info-at@waldmann.com

### SINGAPORE

Waldmann Lighting Singapore Pte. Ltd.  
22 Cross Street  
#02-50/51  
South Bridge Court  
Singapore 048421  
Singapore  
Phone +65 6275 8300  
Fax +65 6275 8377  
www.waldmann.com  
sales-sg@waldmann.com

### FRANCE

Waldmann Eclairage S.A.S  
Z.I. - Rue de l'Embranchement  
67116 Reichstett  
FRANCE  
Phone +33 3 8820 95 88  
Fax +33 3 8820 95 68  
www.waldmann.com  
info-fr@waldmann.com

### CHINA

Waldmann Lighting (Shanghai) Co. Ltd.  
Part A11a, No. Five Normative Workshop  
199 Changjian Road, Baoshan  
Shanghai, P.R.C. 200949  
China  
Phone +86 21 5169 1799  
Fax +86 21 3385 0032  
www.waldmann.com  
info@waldmann.com.cn

### ITALY

Waldmann Illuminotecnica S.r.l.  
Via della Pace, 18 A  
20098 San Giuliano Milanese (MI)  
Italy  
Phone +39 02 98 24 90 24  
Fax +39 02 98 24 63 78  
www.waldmann.com  
info-it@waldmann.com

### INDIA

Waldmann Lighting PVT. Ltd.  
Plot No. 52  
Udyog Vihar  
Phase-VI, Sector-37  
GURGAON-122001, Haryana  
India  
Phone +91 124 412 1600  
Fax +91 124 412 1611  
www.waldmann.com  
sales-in@waldmann.com

### NETHERLANDS

Waldmann BV  
Lingewei 19  
4004 LK Tiel  
Netherlands  
Phone +31 344 631 019  
Fax +31 344 627 856  
www.waldmann.com  
info-nl@waldmann.com

---

### Derungs Licht AG

Hofmattstrasse 12  
9200 Gossau  
Switzerland  
Phone +41 71 388 11 66  
Fax +41 71 388 11 77  
www.derungslicht.com  
mailbox@derungslicht.com

Derungs Licht AG is a member of the Waldmann Group.



Additional distributors can be found at: [www.derungslicht.com](http://www.derungslicht.com)